

Components

CATALOGUE

Accessories for the medical workplace

Precise solutions

With provita components, you enable the ideal design of the medical workplace.



Construction/Development

Developing medical products for the medical workplace in close cooperation with our partners and users.



Production at one location

Raw materials of the highest quality and processing in our own production facilities ensure efficient and quick production.



Products according to the Norm

We analyse, evaluate, produce and label our products in accordance with European directives and legal requirements.

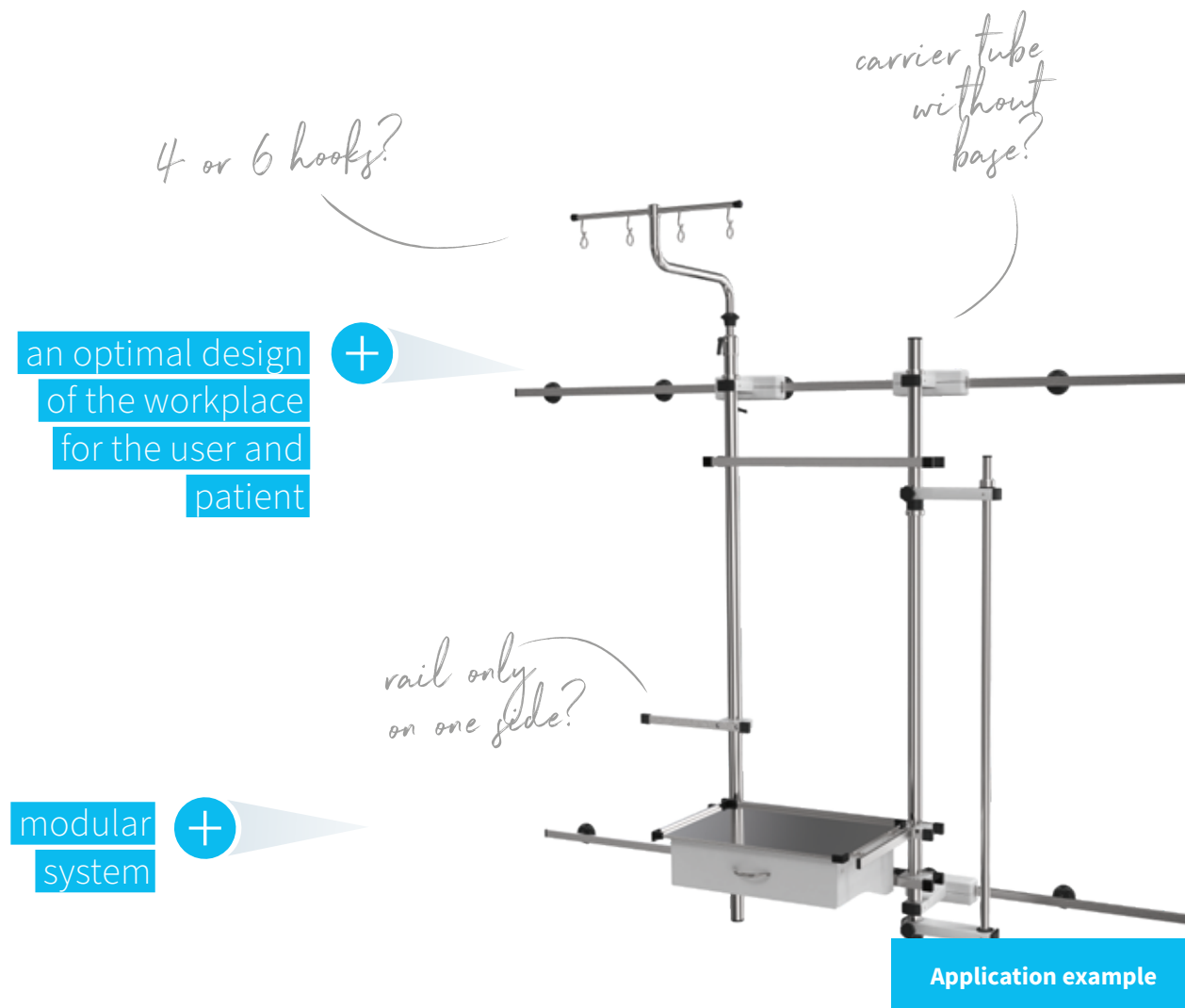


Strong partnerships

We have been manufacturing quality products „Made in Germany“ for over 50 years. Trusting and long-term customer relationships are of great importance to us.

You are looking for an experienced partner that can help you realize your project?

Our project consultants with many years of experience are happy to advise and in cooperation with you, find specific solutions according to your wishes! Your planning will be also supported by drawings and 3D images.



Our sales team
Your contact person



Esteban Arco
e.arco@provita.de
+34 617 83 83 49



Christian Graf
c.graf@provita.de
+49 (0) 2193 5105-277



Gowryrahm Mohan
g.mohan@provita.de
+49 (0) 2193 5105-240



Micha Hilverkus
m.hilverkus@provita.de
+49 (0) 2193 5105-220



Lucica Krauss
l.krauss@provita.de
+49 (0) 2193 5105-210



Axel Meister
a.meister@provita.de
+49 (0) 2193 5105-230



Mirjam Forneberg
m.forneberg@provita.de
+49 (0) 2193 5105-270



Henning vom Stein
h.vomstein@provita.de
+49 (0) 2193 5105-250



Marvin vom Stein
m.vomstein@provita.de
+49 (0) 2193 5105-260



Ute Pleuser
u.pleuser@provita.de
+1 4168 212-778



Niklas Körschgen
n.koerschgen@provita.de
+49 (0) 2193 5105-275



Michael Winterhagen
m.winterhagen@provita.de
+49 (0) 2193 5105-280



Your partner at provita: Successful together as a team



»Through discussion and intensive exchange, improvements and new innovative products are created.«

Waldemar Worster,
with provita since 06/2004

» Quality as a lived matter of course. This applies to our products and also to the behaviour among each other «

Lucas Garcia,
with Provita since 06/2007



Wall rails

Medical rails for space-saving device management



IV-Poles

Professional infusion management on medical rails



Wall rail carts

Pivoting, mobile device carrier system for infusion and device management



Infusion and pump carrier systems

Practical and user-friendly infusion management



Lamps

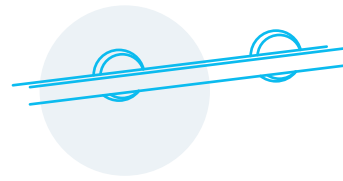
Examination lamp LED, halogen and twin version



Assembly & Accessories

Miscellaneous accessories for the extension of the wall rail system

Wall rails



The stable wall rail for flexible equipment

Flexible device management on any wall, in any room.



High-quality rail profile in accordance to an edge contour standard



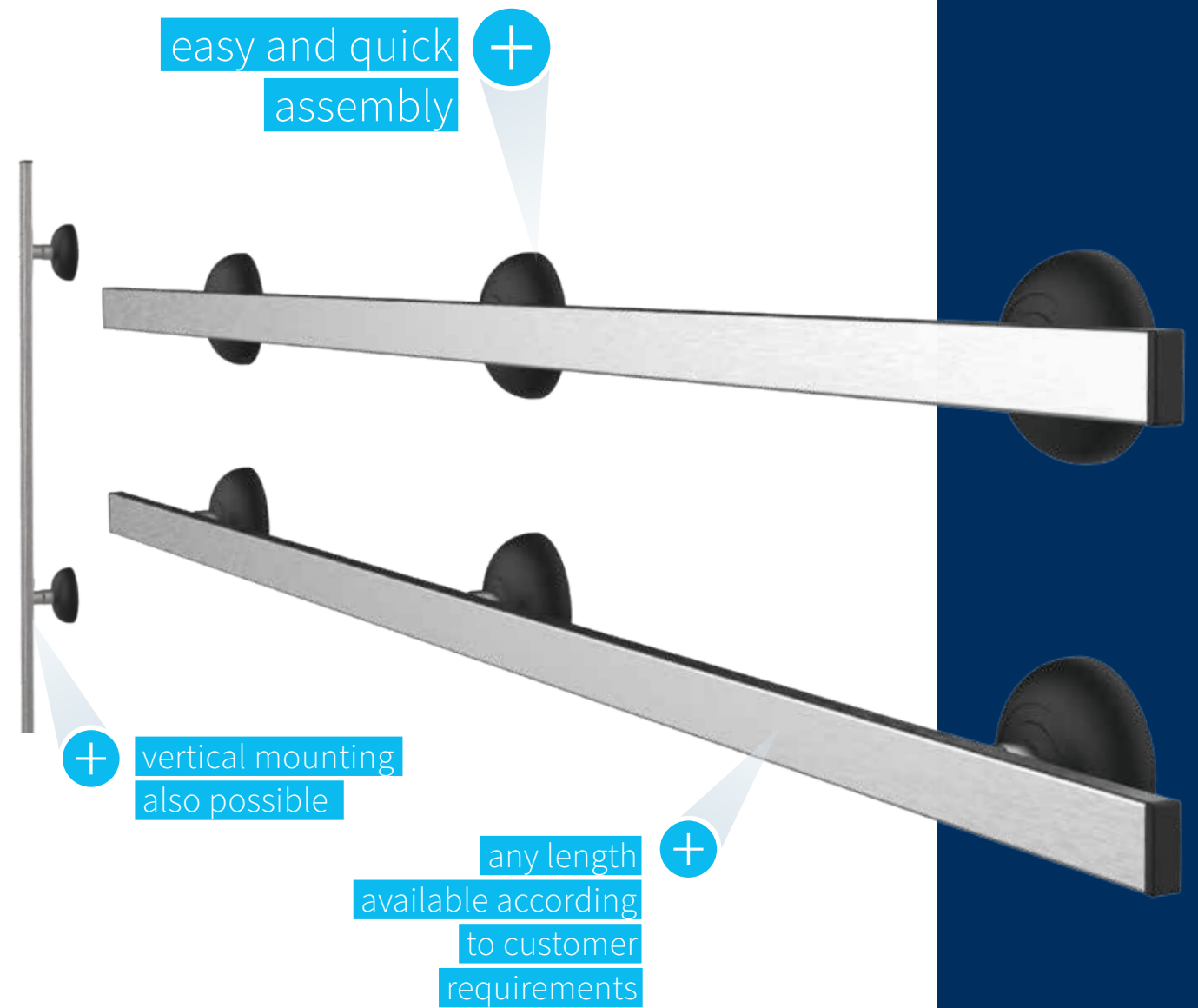
Stainless steel (1.4301) for best hygienic properties

MEDICAL RAIL
Load capacity up to 100 kg per metre

Material Stainless steel

Any length through connectors (max. 4000 mm in one piece)

Load capacity 100.0 kg / m





MEDICAL RAIL Easy installation with screw-on discs

Material Stainless steel

Cover and end caps Plastic / black

Rail profile 25 × 10 × 1.5 mm

Load capacity max. 100.0 kg (per metre)

Surface sanded

Weight approx. 1.5 kg (per metre)

Special feature special and in-between lengths are also possible (with 1 grounding fixation at each rail)

Medical rail, please specify desired length Z2N27242



Plastic parts available
in white or blue colour
(without extra cost)

Optional cover
in stainless steel
(subject to sur-
charge) (Z2N06242)



Optional:
adaptable positioning
grounding box
(subject to surcharge)
(Z2N06132)



Connector (E2N4464-)



On customer request, we are also able to modify the distance between wall and rail. Calculation of the number of bolts per rail = rail length / bolt space rounded to the nearest total number. Standard bolt space: 400 mm. Other bolt spaces on request (e.g: 500 mm or 600 mm – the load capacity is reduced with a bolt space of 500 or 600 mm). We reserve the right to provide rails larger than 3,000 mm with appropriate connectors.



For technical data
see provita.de

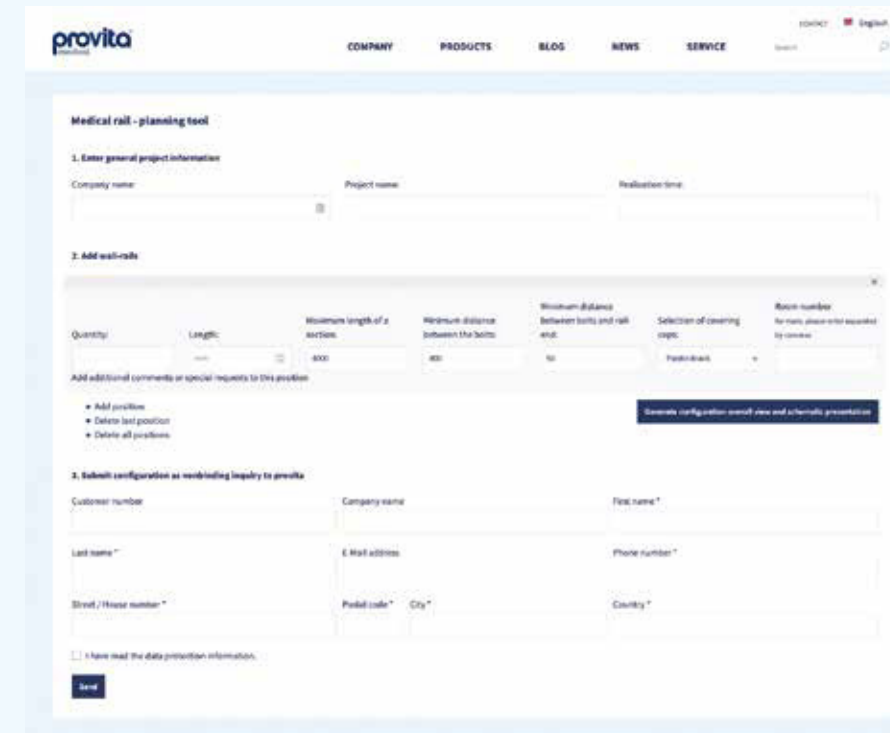
NEW

MEDICAL RAIL WITH CLIP PLASTIC COVER Easy to retrofit



huge
time saving of
approx. 1 min./
metre

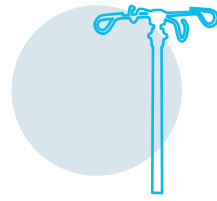
Medical rail with clip plastic cover,
Please specify desired length Z2N27252



easy to configure
online with our
planning tool

IV-Poles

High-quality IV-Poles for every field of application



The matching wall rail IV-Poles to your requirements.



Stepless height adjustment



Stainless steel (1.4301) for best hygienic properties



Here you see two types of our height adjustment (screw & single handed system – the “original”)

INFUSION POLES Versatile & flexible

Material Stainless steel / Aluminium

Load capacity 2.0 kg / hook

Wall rail poles IV-Poles



Wall rail poles
IV-Poles



INFUSION POLE
With 2 wall brackets

Material Stainless steel

Tube diameter 25/18 mm

Length of outer tube 1,200 mm

Colour of covers white

Angled 2 × 90°

Parallel offset 300 mm

Distance between wall and tube centre 120 mm

Height adjustment Screw system

Bottle holder Stainless steel 4 hooks

Regulating range approx. 1,460 – 2,000 mm

Load capacity 2.0 kg / hook

Total weight 2.5 kg

I2002612

INFUSION POLE
Straight

Material Stainless steel

Tube diameter 25/18 mm

Length of outer tube 1,000 mm

Height adjustment Screw and Single-handed system

Bottle holder Stainless steel 4 safety hooks

Regulating range approx. 1,180 – 2,020 mm

Load capacity 2.0 kg / hook

Total weight 2.0 kg

Single-handed system

I1000422

Screw system

I2000422

INFUSION POLE
55° angled

Material Stainless steel

Tube diameter 25/18 mm

Length of outer tube 1,000 mm

Angled 1 × 55°

Parallel offset 300 mm

Height adjustment Screw system

Bottle bar Stainless steel 4 safety hooks

Regulating range approx. 1,250 – 1,800 mm

Load capacity 2.0 kg / hook

Total weight 2.9 kg

I2000572

INFUSION POLE
90° angled

Material Stainless steel

Tube diameter 25/18 mm

Angled 2 × 90°

Parallel offset 300 mm

Height adjustment Screw system

Bottle bar Stainless steel 6 hooks

Load capacity 2.0 kg / hook

Total weight 3.0 kg

1,000 mm outer tube

Regulating range approx. 1,270 – 2,115 mm I2000552

1,500 mm outer tube

Regulating range approx. 1,780 – 2,400 mm I2000562

INFUSION POLE
Stainless steel tubes acc. to DIN EN 10217-7

Material Stainless steel / Aluminium

Tube diameter 18/14 mm

Length of outer tube 800 mm

Height adjustment Single-handed system

Bottle holder Stainless steel 3 hooks – 2.0 kg / hook

Regulating range approx. 1,150 mm – 1,700 mm

Total weight 1.9 kg

Equipped with wall rail clamps, drip glass and holder, for mounting on medical rail 25 × 10 mm

Without wall support

I1000502

With wall support

I1000522

INFUSION POLE
With light-resistant plastic parts

Material Stainless steel / Aluminium

Tube diameter 25/18 mm

Length of outer tube 1,000 mm

Bottle holder Stainless steel 3 hooks – 2.0 kg / hook

Regulating range approx. 1,000 – 2,000 mm

Total weight 1.73 kg

Equipped with wall rail clamp and wall support, for mounting on medical rail 25 × 10 mm

Single-handed system

I1002112

Screw system

I2000112

optional: for wall rail clamps and more see accessories



For technical data see provita.de



INFUSION POLE Angled

Material Stainless steel / Aluminium

Tube diameter 25 / 18 mm

Length of outer tube 600 mm

Angled 2 × 45°

Parallel offset approx. 350 mm

Bottle holder Stainless steel 4 hooks – 2.0 kg / hook

Regulating range approx. 1,180 – 1,510 mm

Total weight 1.45 kg

Equipped with wall rail clamp and wall support, for mounting on medical rail 25 × 10 mm

Single-handed system

With additional screw height adjustment as anti-swivel protection I1002212

Screw system

I2002012

optional: for wall rail clamps and more see accessories



INFUSION POLE With integrated pull-out stopper

Material Stainless steel / Aluminium

Tube diameter 25 / 18 mm

Length of outer tube 800 mm

Bottle bar Stainless steel 4 hooks – 2.0 kg / hook

Regulating range approx. 1,000 – 1,600 mm

Total weight 2.03 kg

Equipped with 2 wall rail clamps, for mounting on medical rails 25 × 10 mm

Single-handed system

I1002712

Screw system

I2003112



INFUSION ROD Safety hooks acc. to standards

Material Stainless steel / Aluminium

Tube diameter 25 mm

Length 1,500 mm

Bottle bar Stainless steel 4 hooks – 2.0 kg / hook

Total weight 1.5 kg

Equipped with 2 wall rail clamps, for mounting on medical rails 25 × 10 mm

I0001502

*Extensions clamps are available in other length as an option



INFUSION POLE With two extension clamps*

Material Stainless steel / Aluminium

Tube diameter 38/25 mm

Length of outer tube 1,000 mm

Angled 2 × 90°

Parallel offset 350 mm

Height adjustment Single-handed system with additional screw system as anti-swivel protection

Bottle bar Stainless steel 4 safety hooks

Load capacity 2.0 kg / hook

Total weight 6.0 kg

Equipped with 2 wall rail clamps, for mounting on medical rails 25 × 10 mm*

I1002612



For technical data
see provita.de



ICU UNIT
Height adjustment
comfort

Material Stainless steel / Aluminium

Height adjustment Single-handed system

Bottle bar Stainless steel 4 or 6 hooks – 2.0 kg / hook

Regulating range 370 mm

Total weight approx. 2.1 kg

Equipped with wall rail clamp for mounting on medical rail or with mounting clamp for mounting on round tube 25 mm or 38 mm

With 4 hooks

For medical rail I1009272

For round tube I1009372

With 6 hooks

For medical rail I1009292

For round tube I1009392



INFUSION HOLDER
Space-saving
infusion supply

Material Stainless steel / Aluminium

Bottle bar Stainless steel 4 hooks – 2.0 kg / hook

Total weight approx. 1.8 kg

Equipped with wall rail clamp and wall support, for mounting on medical rail 25 × 10 mm

M0009004

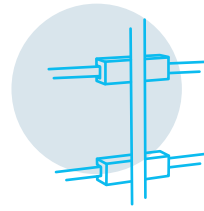


implementing
individual
solutions



For technical data
see provita.de

Wall rail cart



Easy to change position with our mobile systems

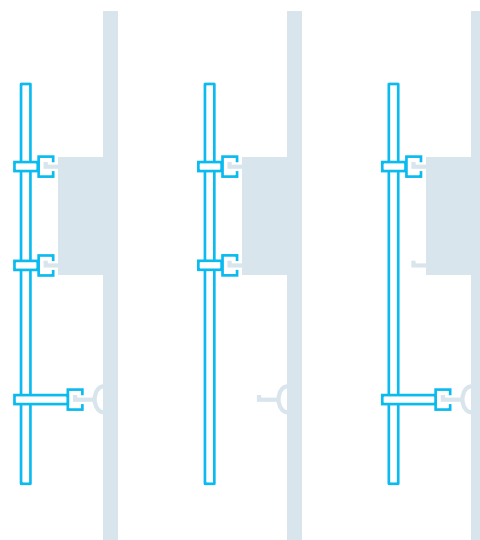
For holding pumps, monitors and other medical devices.

WALL RAIL CART Flexible positioning

Material Stainless steel / Aluminium

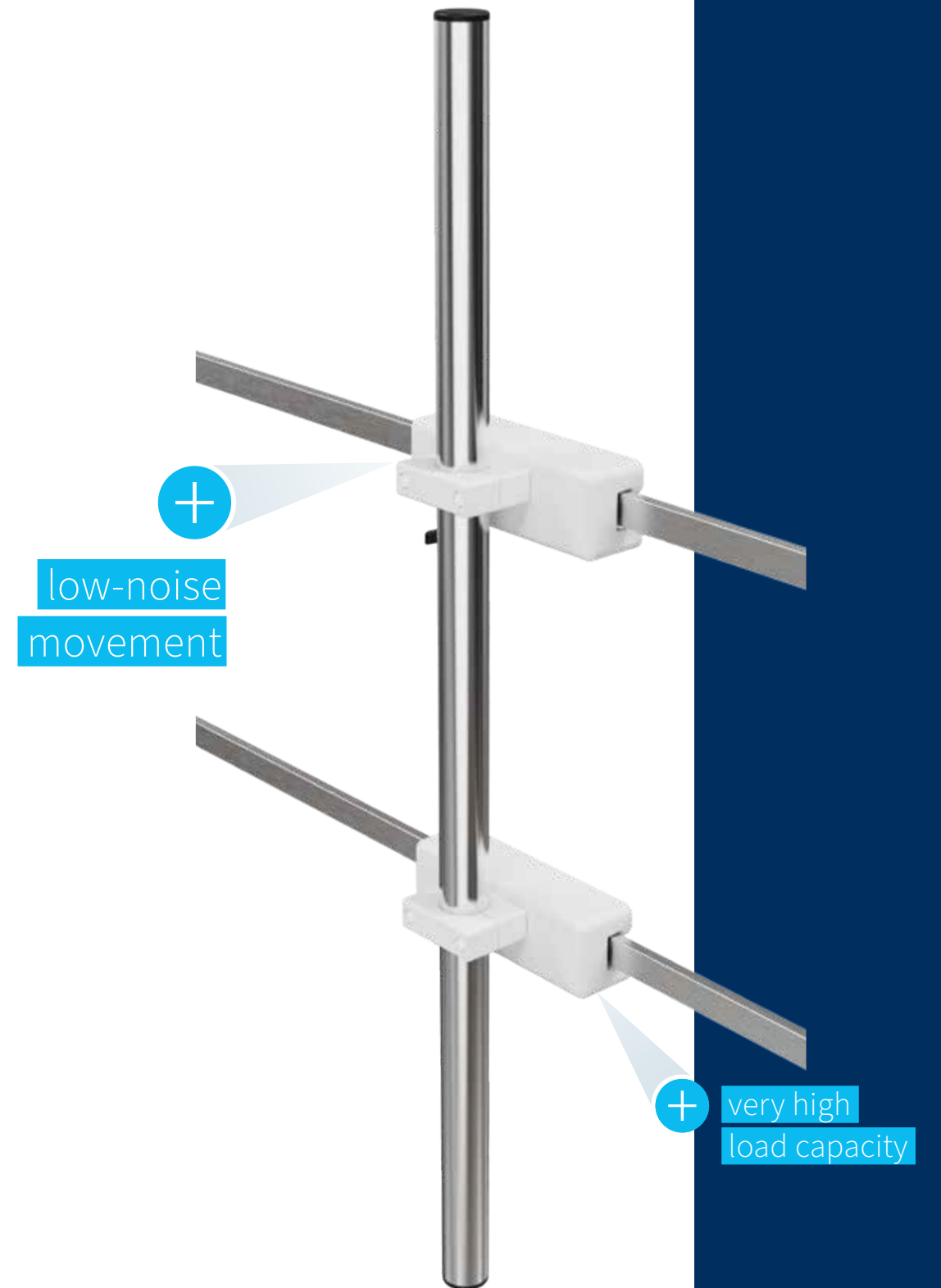
Load capacity 75.0 kg

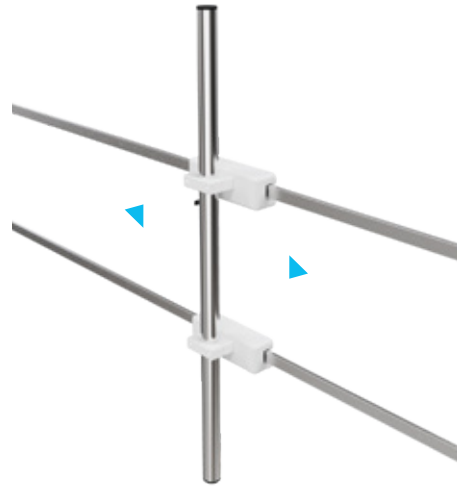
Regulating range
1,100 – 1,900 mm



The wall rail systems can be mounted in different ways and different distances to the wall.

Wall rail cart Wall rail cart





WALL RAIL CART A With carrier tube

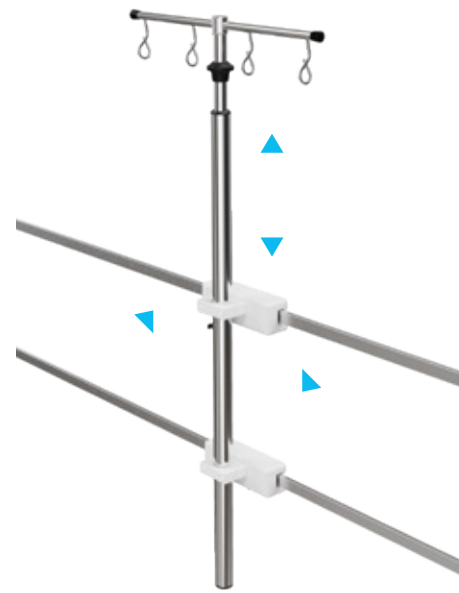
Carriage material	Aluminium
Carrier tube material	Stainless steel
Tube diameter	38 mm
Carriage colour	white
Length of outer tube	1,000 mm
System load capacity	75.0 kg
Equipped with	2 complete carriages and one carrier tube

Z2N0214A

Caution:
Wall rails must be mounted exactly parallel to each other, with clamping lever brake on the upper carriage



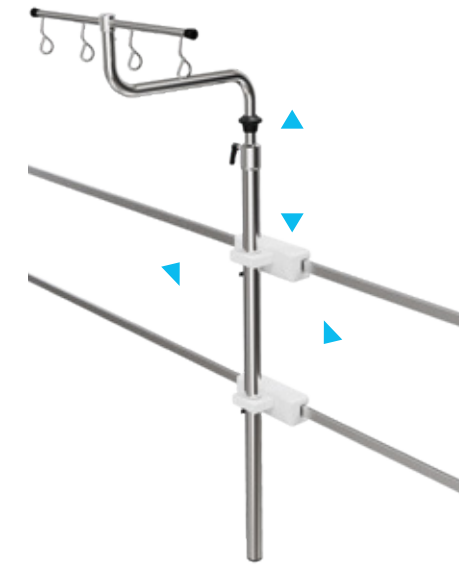
Caution:
Please order stopper set separately (Z2N0628A)



WALL RAIL CART B With infusion pole

Carriage material	Aluminium
Carrier tube material	Stainless steel
Tube diameter	38 mm
Carriage colour	white
Length of outer tube	1,000 mm
System load capacity	75.0 kg
Total weight	approx. 4.2 kg
Equipped with	2 complete carriages and one infusion pole
Height adjustment	Single-handed system
Bottle bar	Stainless steel 4 hooks
Height adjustment	1,100 – 1,900 mm

Z2N0224A



WALL RAIL CART C With angled infusion pole*

Carriage material	Aluminium
Carrier tube material	Stainless steel
Tube diameter	38 mm
Carriage colour	white
Length of outer tube	1,000 mm
System load capacity	75.0 kg
Total weight	approx. 4.2 kg
Equipped with	2 complete carriages and one angled infusion pole
Height adjustment	Single-handed system with additional screw system as anti-swivel protection
Bottle bar	Stainless steel 4 hooks
Height adjustment	1,325 – 1,850 mm

Z2N0225A

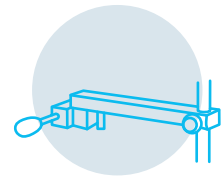
* to protect the devices from liquids



For technical data
see provita.de

Infusion and pump carrier systems

All devices within reach



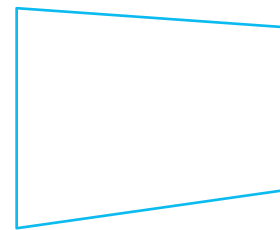
For practical and
user-friendly infusion
& device management.



**MOUNTING
ON A WALL RAIL**
Horizontal



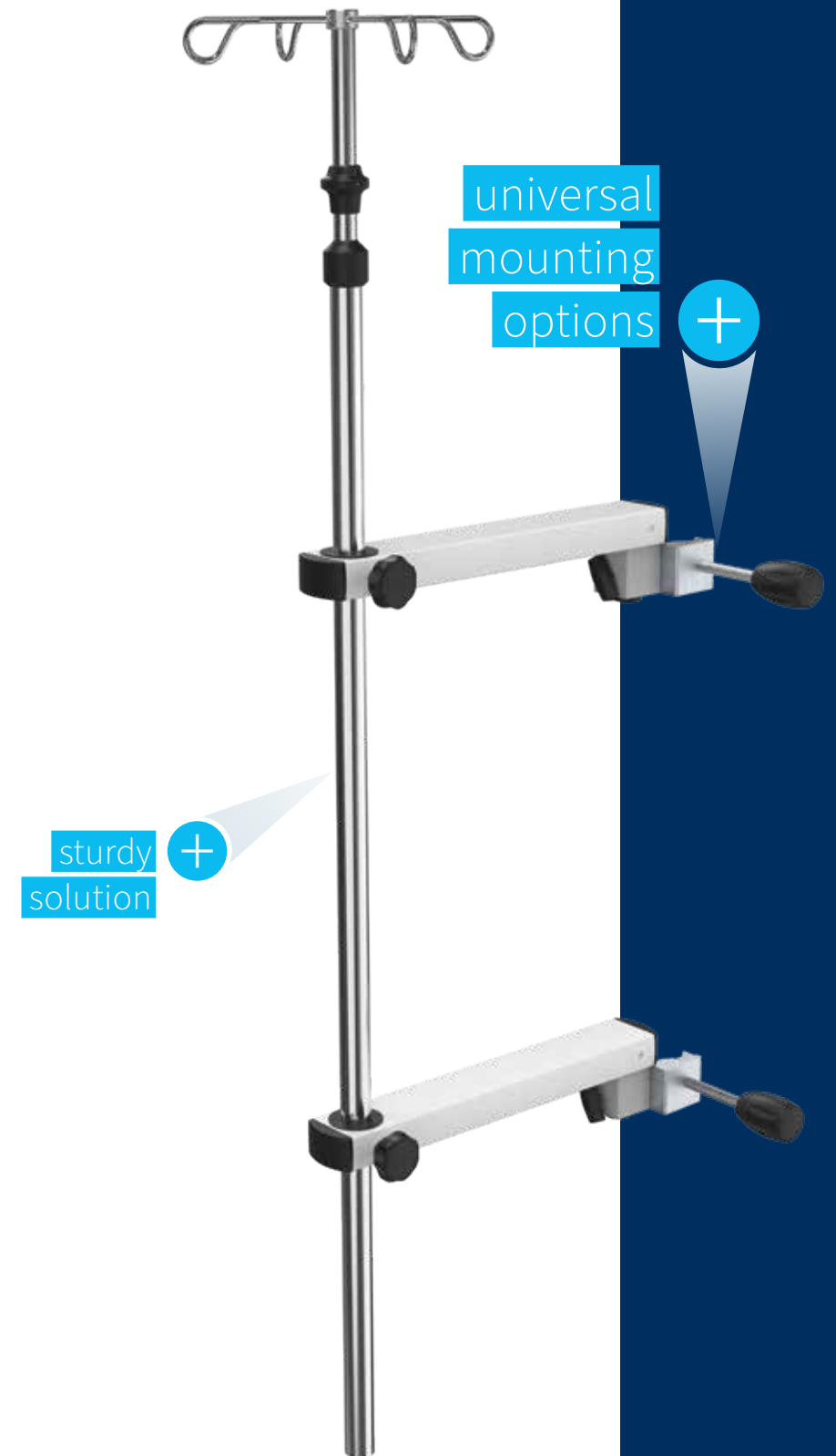
**MOUNTING
ON A ROUND TUBE**
Different diameters

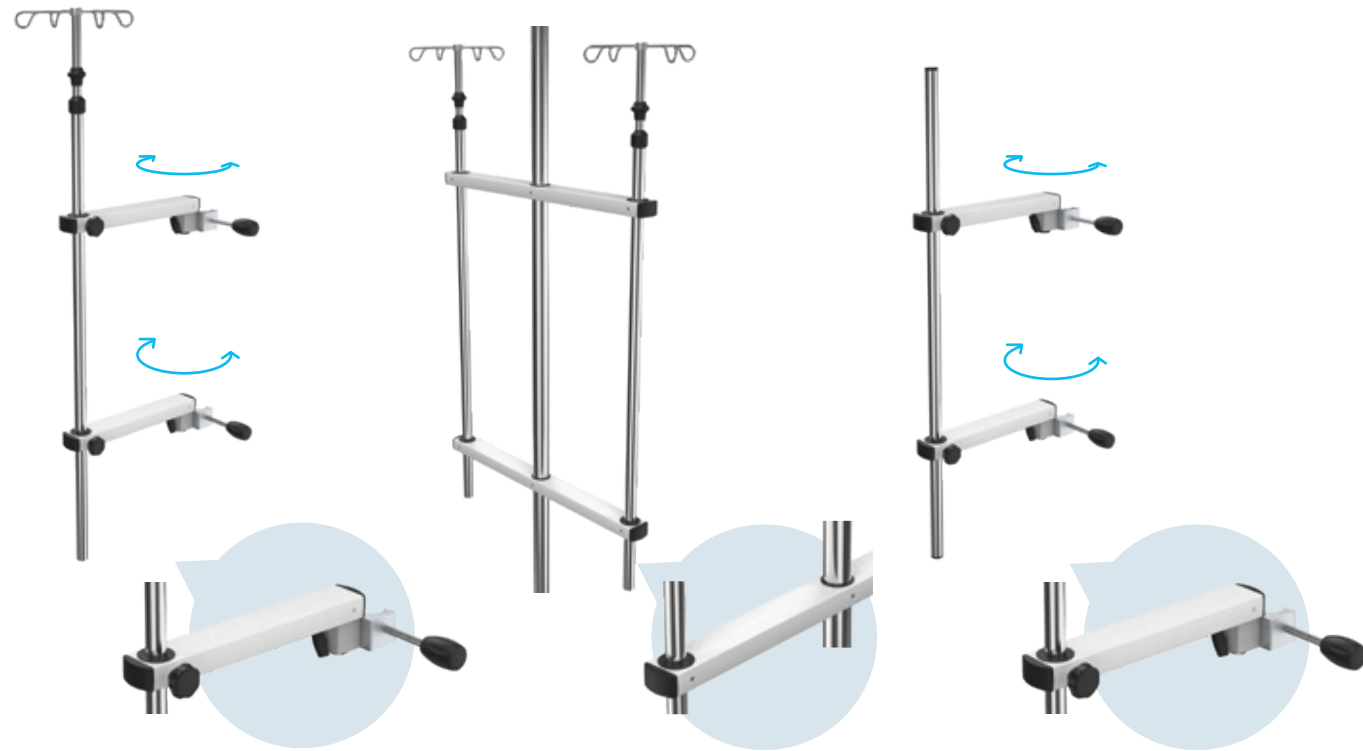


**MOUNTING
ON THE WALL**

Material Stainless steel / Aluminium

Load capacity 2,0 kg / hook





**INFUSION
CARRIER SYSTEM
Single**

Material Stainless steel / Aluminium

Regulating range 1,200 – 2,050 mm

Equipped with 2 pivoting support arms with universal clamp and a single-handed system infusion pole

Bottle holder 4 hooks

Support arm length 300 mm

Total weight approx. 5.0 kg

I9900312

**INFUSION
CARRIER SYSTEM
Double**

Material Stainless steel / Aluminium

Regulating range 1,200 – 2,050 mm

Equipped with 2 infusion poles with single-handed system for mounting on a central tube Ø 38 mm

Bottle holder 4 hooks

Support arm length 300 mm

Total weight approx. 7.9 kg

I9900412

**EQUIPMENT
CARRIER SYSTEM
Rotatable**

Material Stainless steel / Aluminium

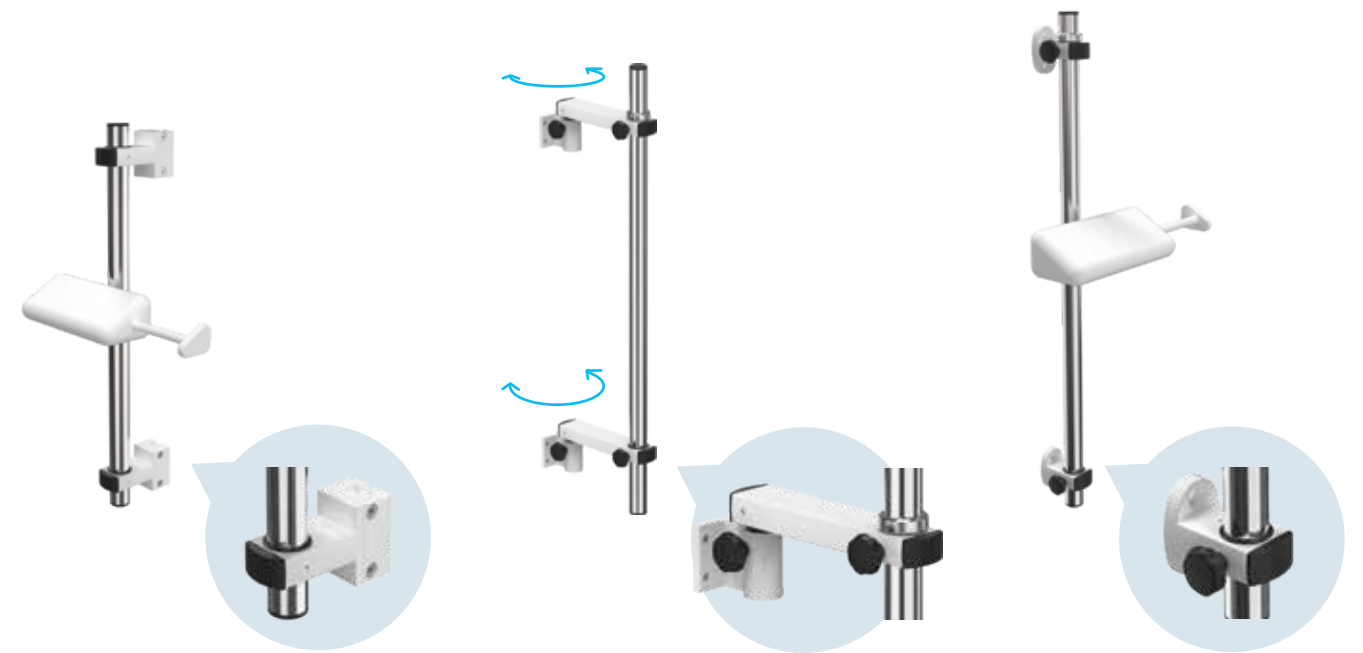
Carrier tube length 1,000 mm

Equipped with one support tube and two universal clamps

2 rotating arms 300 mm

Total weight approx. 2.9 kg

Z2N6643S



**DEVICE
CARRIER SYSTEM
For vertical rails**

Material Stainless steel / Aluminium

Carrier tube length 700 mm

Equipped with to mount on vertical 25 x 10 mm rails through height-adjustable brackets

Total weight approx. 2.3 kg

Z2N6645A

**EQUIPMENT
CARRIER TUBE
Rotatable for wall
mounting**

Material Stainless steel / Aluminium

Carrier tube length 1,000 mm

Equipped with one support tube and two wall brackets with two rotatable extension arms

Support arm length 200 mm

Total weight approx. 3.0 kg

Z2N6647A

**DEVICE CARRIER TUBE
For wall mounting**

Material Stainless steel / Aluminium

Carrier tube length 1,000 mm

Equipped with to mount on vertical 25 x 10 mm rails through height-adjustable brackets

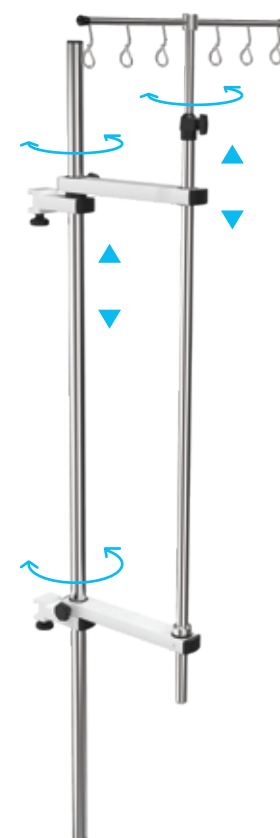
Total weight approx. 2.3 kg

Z2N6646A

Can also be set up as a vertical support system



For technical data see provita.de



IWS UNIT
For infusion and syringe pumps
as well as infusion bottles

Material Stainless steel / Aluminium

Regulating range 1,500 – 2,450 mm

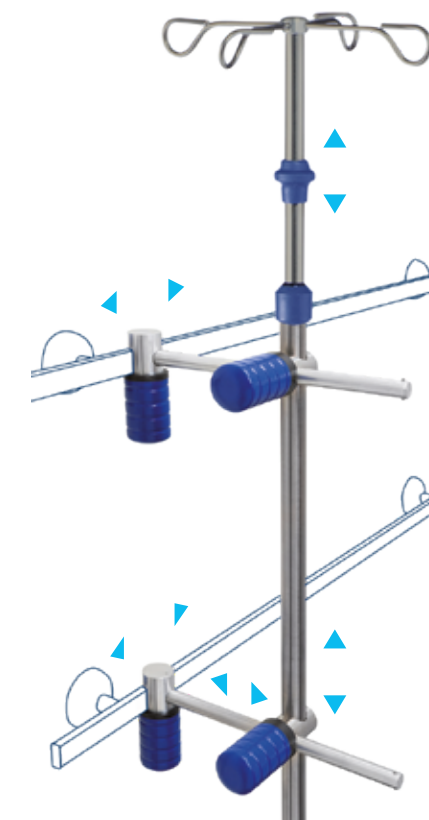
Equipped with one support tube Ø 33.7 mm, 2 horizontal swivel arms, 2 extension clamps for wall rail, 1 infusion pole with screw system, bottle bar with 6 hooks

Bottle bar Stainless steel 4 hooks

Load capacity 2.0 kg per hook / 25.0 kg system

Total weight approx. 9.0 kg

I9971702



DUO-LOCK SYSTEM
Horizontal and
vertical adjustment

Material Stainless steel / Aluminium

Regulating range approx. 1,500 – 2,350 mm

Equipped with 2 Duo-Lock systems with quick hand fasteners and one single-handed system infusion pole

Bottle holder Stainless steel 4 hooks

Load capacity 2.0 kg per hook / 10.0 kg overall system

I-DULO01



The all-round examination lamp



large extension +

+ great operating comfort

+ Touchless-Technology
Made in Germany

+ optimum hygiene properties
(wipe disinfection)



For technical data
see provita.de

For more lamps, please see our
lamp catalogue.



Made in
Germany

Lamps Series 1



**GOOSENECK
ARM LAMP**
Flexible positioning

Working radius approx. 800 mm

Total weight approx. 2.6 kg

Fixture pin Ø 18, L 35 mm

Without spring balance joint

LED L100011A



**DOUBLE-JOINT
ARM LAMP**
Large projection

Working radius approx. 1,100 mm

Total weight approx. 2.9 kg

Fixture pin Ø 18, L 35 mm

With spring balance joint

LED L100081A

RAIL CLAMP

To attach lamps
to 25 × 10 mm to
30 × 10 mm rails

Material Aluminium, ball-polished

Fixture entry Ø 18 mm

Weight approx. 0.2 kg

With threaded pin Z2N0643W



**JOINT
ARM LAMP**
Simple and safe

Working radius approx. 800 mm

Total weight approx. 2.8 kg

Fixture pin Ø 18, L 35 mm

With spring balance joint

LED L100031A

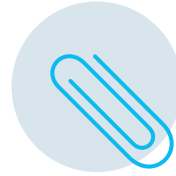
Without spring balance joint

LED L100024A



For technical data
see provita.de

Wall rails



Everything you need for mounting and the right accessories

For the completion and modification of your wall rails.



EXTENSION CLAMP

For mounting on round tube (Ø 25, Ø 33,7, Ø 38 mm)

Material Aluminium

Distance medical rail – round tube 100 mm

Colour white

Weight approx. 0.5 kg

For round tube Ø 38 mm Z2N09112

For round tube Ø 33.7 mm Z2N09122

For round tube Ø 25 mm Z2N09132



CLAMPS

For mounting lamps, poles and other accessories, for mounting on medical rail 25 × 10 mm

Material Aluminium, ball-polished

Weight approx. 0.4 kg

With grub screw, with fixture entry Ø 18 mm Z2N0643W

With T-screw, with fixture entry Ø 18 mm Z2N0647W

With T-screw, with fixture entry Ø 25 mm Z2N0650W



WALL RAIL CLAMP KIT

With fixture entry for round tube Ø 25 mm, for bridging unevenly deep wall rails

Material Aluminium

Colour white

Weight approx. 0.8 kg

Special feature 1 adjustable clamp (100 – 200 mm), 1 clamp with fixed length

Z2N0618A



STOPPER KIT FOR WALL RAIL

For medical rail 25 × 10 mm

Material Aluminium

Colour white

For wall rail carts

Z2N0628A



CLAMP WITH QUICK-RELEASE LEVER

For mounting on medical rail 25 × 10 mm

Material Aluminium, anodized

Weight approx. 0.1 kg

Z2N0932W



UNIVERSAL CLAMP

For medical rails and round tubes up to Ø 40 mm, with four holes

Material Aluminium

Total weight approx. 0.3 kg

Z2N6638W



UNIVERSAL CLAMP WITH FIXTURE ENTRY BLOCK

For mounting on medical rails 25 × 10 mm or round tubes up to Ø 40 mm

Material Aluminium

Total weight approx. 0.45 kg

Fixture entry for round tube Ø 18 mm Z2N6642S

Fixture entry for round tube Ø 25 mm Z2N6641S

Holder for lamp pivot Z2N6639S



MEDICAL RAIL WITH UNIVERSAL CLAMP

For mounting infusion pumps and other medical devices

Material Stainless steel / Aluminium

Profile 25 × 10 mm

Length 350 mm

Total weight approx. 0.85 kg

Z2N0684S



CARRIER TUBE WITH UNIVERSAL CLAMP

Universal holder for medical equipment, for mounting on horizontal medical rails

Material Stainless steel

Tube length 500 mm

Tube diameter 25 mm

Total weight approx. 0.9 kg

Z2N6644S





MEDICAL RAIL
For round tube Ø 38 mm,
full length usable

Material Stainless steel / Aluminium

Profile 25 × 10 mm

Length 558 mm

Weight approx. 0,9 kg

Z2N06512



MEDICAL RAIL
680 mm
with 2 × clamp-sets for
Ø 38 mm round tube

Material Stainless steel / Aluminium

Profile 25 × 10 mm

Centre distance 550 mm

Rail length 680 mm

Weight 1,3 kg

Z-DOCK05



MEDICAL RAIL
Retrofit mounting on round tubes
Ø 25 / 38 mm, usable length beside
the clamp 235 mm each

Material Stainless steel

Profile 25 × 10 mm

Length 558 mm

Load capacity approx. 8,0 kg

Weight approx. 0,9 kg

For round tube Ø 25 mm Z2N70432

For round tube Ø 38 mm Z2N70332

For round tube Ø 33,7 mm Z2N70342



MEDICAL RAIL
double-sided 680 mm with
2 × clamp-sets for round tube Ø 38 mm

Material Stainless steel / Aluminium

Profile 25 × 10 mm

Centre distance 550 mm

Rail length 680 mm

Weight 1,9 kg

Z-DOCK35



DOUBLE RAIL
For round tube Ø 25 mm

Material Stainless steel / Aluminium

Weight approx. 1,3 kg

optional For round tube Ø 33,7 mm /
Ø 38 mm

Rail length 558 mm

Z2N06932



DEVICE TRAY
For round tube Ø 38,
with edge protection

Material Stainless steel / Aluminium

Size 300 × 250 mm

Load capacity 4,0 kg

Weight approx. 2,75 kg

Z2N0754A



SWIVEL ARM
With fixture pin
Ø 25 mm

Material Aluminium

Centre distance 300 mm

Fixture entry for Ø 25 mm round tube

Colour white

Weight approx. 1,0 kg

Z2N6650S



**SWIVEL ARM
FOR INFUSION POLE**
Clamp can be retrofitted

Material Stainless steel / Aluminium

Centre distance 300 mm

Fixture entry for Ø 25 mm round tube

Colour white

Load capacity 25 kg

Z2N6653A



SUPPORT ARM
For holding
2 infusion poles Ø 25 mm

Material Aluminium

**Distance from tube entries to the
centre point** 300 mm

Tube support Ø 25 mm, Ø 38 mm,
Ø 25 mm

Colour white

Weight approx. 1,5 kg

Z2N6651S



SUPPORT ARM
For Ø 25 mm round tubes on both
sides

Material Aluminium

Centre distance 250 mm

Fixture entry for Ø 25 mm round tube

Colour white

Weight approx. 1,0 kg

Z2N6651A



**SWIVEL ARM
FOR INFUSION POLE**
Clamp can be retrofitted

Material Stainless steel / Aluminium

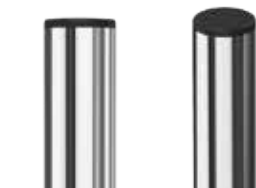
Centre distance 300 mm

Fixture entry for Ø 25 mm round tube

Colour white

Load capacity 25 kg

Z2N6652A



PUMP CARRIER TUBE

Material Stainless steel

Diameter Ø 25 mm, Ø 38 mm

Ø 25 mm × 1000 mm S0008172

Ø 25 mm × 1500 mm S0008182

Ø 38 mm × 1000 mm 150411

Ø 38 mm × 1500 mm 291453



For technical data
see provita.de



PUMP HOLDER

With wall rail clamp for mounting on medical rails 25 × 10 mm

Material Stainless steel / Aluminium

Tube diameter 25 mm

Length 500 mm

Weight ca. 0,95 kg

Z2N07162



WASTE BAG HOLDER

With wall rail clamp for mounting on medical rails 25 × 10 mm

Material Stainless steel / Aluminium

Size 245 × 385 × 185 mm (W × H × D)

Weight approx. 2.0 kg

Special feature includes 3 waste bags

Z2N06202



BASKET WITH CLAMP

With wall rail clamp, for mounting on medical rails 25 × 10 mm, or with clamp-set to mount on Ø 38 mm round tube

Basket material Steel, coated

Clamp material Aluminium

Colour light grey

Size 250 × 90 × 200 mm (W × D × H)

Weight approx. 0.7 kg

for wall rail clamp
Z2S0665N

with clamp-set for round tube
Z-DOCK02



BASKET WITH 2 CLAMPS

With two wall rails clamps, for mounting on medical rails 25 × 10 mm

Material Korb Steel, coated

Clamp material Aluminium

Colour light grey

Size 500 × 120 × 100 mm (W × D × H)

Weight approx. 1.15 kg

Z2S0666N



TRAY

With two wall rail clamps, with edge protection

Material Stainless steel / Aluminium

Tray size 300 × 250 mm

Load capacity 4.0 kg

Weight approx. 2.75 kg

Z2N07332

GLOVE BOX HOLDER 3-FOLD FOR MEDICAL RAIL

With wall rail clamp for mounting on medical rails 25 × 10 mm

Material Stainless steel / Aluminium

Size outer dimensions
240 × 403 × 99 mm (W × D × H)

Size inner dimensions (per shelf)
240 × 132 × 96 mm (W × D × H)

Weight approx. 2.5 kg

Z2N65522



GLOVE BOX HOLDER 2-FOLD FOR MEDICAL RAIL

With wall rail clamp for mounting on medical rails 25 × 10 mm

Material Aluminium, coated

Colour silver

Size 280 × 270 × 100 mm (W × D × H)

Weight approx. 1.3 kg

Z2N09353



GLOVE BOX HOLDER 3-FOLD FOR MEDICAL RAIL

With wall rail clamp for mounting on medical rails 25 × 10 mm

Material Aluminium, coated

Colour silver

Size 390 × 260 × 100 mm (W × D × H)

Weight approx. 1.5 kg

Z2N09363



CATHETER BASKET FOR MEDICAL RAIL

Material Stainless steel, electropolished

Mounting Two hooks for medical rail

Weight approx. 0.5 / 0.8 kg

150 × 100 × 280 mm (W × D × H)
Z2N08122

150 × 100 × 480 mm (W × D × H)
Z2N08132



CATHETER BOX without separating screens

CATBOX 500 (height 500 mm)
Z2N08222

CATBOX 600 (height 600 mm)
Z2N08092

CATBOX 700 (height 700 mm)
Z2N08102

CATHETER BOX with two separating screens (3-fold separation)

CATBOX 500 T (height 500 mm)
Z2N08272

CATBOX 600 T (height 600 mm)
Z2N08072

CATBOX 700 T (height 700 mm)
Z2N08082



CATBOX with window without screens

CATBOX 600 F (height 600 mm)
Z2N08242

CATHETER BOX with window and two separating screens (3-fold separation)

CATBOX 500 FT (height 500 mm)
Z2N08262

CATBOX 600 FT (height 600 mm)
Z2N08052

CATBOX 700 FT (height 700 mm)
Z2N08062

CATHETER BOXES

For medical rails 25×10 mm

Material Stainless steel

Mounting welded sheet metal for attachment to the medical rail

Cleaning autoclavable, bottom easy to open due to unlocking mechanism



For technical data
see provita.de



HOSE SUPPORT ARM
With gooseneck arm 360° rotatable

Material Stainless steel/Plastic

Work radius approx. 1190 mm

Fixture pin Ø18 x L35mm

Weight approx. 2.3 kg

Gooseneck arm 200 mm

Z2N06528



ARTICULATED ARM
With hose clamps (Ø approx. 23 mm),
without wall rail clamp

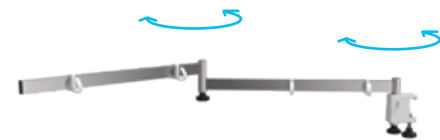
Material Steel, chrome plated

Work radius approx. 1,000 mm

Fixture pin 18 x L 35 mm

Weight approx. 2.0 kg

Z2S06527



CABLE ARM
Double-extension to mount on rail 25 x 10 mm

Material Stainless steel, electropolished

Centre distance approx. 2 x 400 mm

Working radius approx. 800 mm

Weight 1,5 kg

Z2N06832



STORAGE TRAY FOR MEDICAL RAIL
Functional, space-saving foldable

Material Stainless steel / Aluminium

Shelf dimensions approx. 375 x 232 mm

Load capacity approx. 10 kg

For medical rail 25 x 10 mm

Weight approx. 2,6 kg

Z2N07602



SHELF
Without drawer

Material Stainless steel

Shelf size 540 x 360 mm

Tragkraft 40.0 kg

Gewicht ca. 6.0 kg

With two wall rail clamps and wall support Z2N09002

With two wall rail clamps and wall support,
with lateral rails Z2N09032

for wall rail cart

for round tube Ø 38 mm Z2N09042

for wall rail cart with lateral rails Z2N09162



SHELF
With 2 drawers

Tray material Stainless steel

Drawer material Steel, white coated

Shelf size 540 x 360 mm

Drawer size 420 x 310 mm

Drawer height 120 mm

Load capacity 40.0 kg



SHELF
With drawer

Tray material Stainless steel

Drawer material Steel, white coated

Shelf size 540 x 360 mm

Drawer size 420 x 310 mm

Drawer height 120 mm

Load capacity 40.0 kg

Weight approx. 10,1 kg, with 1 drawer Z2N09012

Weight approx. 10,8 kg, with 1 drawer
with lateral rails Z2N09182

for wall rail cart

Weight approx. 10,1 kg, for round tube Ø 38 mm,
with 1 drawer Z2N09152

Weight approx. 10,8 kg, for round tube Ø 38 mm
with 1 drawer and lateral rails Z2N09192

Weight approx. 14,7 kg, with 2 drawers Z2N09022

Weight approx. 15,4 kg, with 2 drawers
and lateral rails Z2N09212

for wall rail cart

Weight approx. 14,7 kg, with 2 drawers Z2N09172

Weight approx. 15,4 kg, for round tube Ø 38 mm
with 2 drawers and lateral rails Z2N09222





SHELF

With drawer

Tray material Stainless steel

Drawer material Steel, white coated

Shelf size 350 × 300 mm

Drawer height 120 mm

Load capacity 40.0 kg

With two wall rail clamps and wall support on request

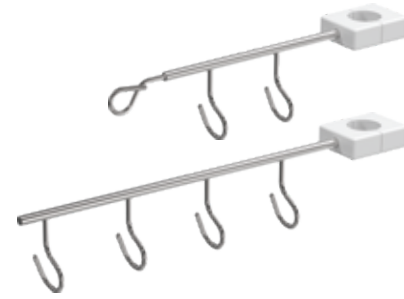


OXYGEN BOTTLE HOLDER

for bottles of 2, 3 or 5 l with quick-release-lever

for bottles of 2 or 3 l Z-DOCK28

for bottles of 5 l Z-DOCK39



HOOK STRIP

To mount on Ø38 mm round tube

Material Aluminium / Stainless steel

Mounting with doubled-clamp

Colour white

2 hooks Z2N3002A

2 hooks + 1 horizontal hook Z2N3020A

3 hooks Z2N3003A

3 hooks + 1 horizontal hook Z2N3030A

4 hooks Z2N3004A

5 hooks + 1 horizontal hook Z2N3040A



OXYGEN BOTTLE HOLDER

height adjustable, for bottles of 2, 3 or 5 l
with quick-release-lever for wall rail 25 × 10
or with set of clamps for round tube Ø 38 mm

with quick-release-lever Z-DOCK80

with set of clamps for round tube Z-DOCK40



MEDICAL PLUGBOARD “VARI MED”

Child proof (increased protection against
accidental contact with the plugs)

Housing material Aluminium, anodized

Acc. to standards DIN EN 60601-1-1

For mobile use
(cable size 1,5 mm²)

4-plug Z2K06384

4-plug, dual fused, 3 m cable supply Z2K07014

4-plug, dual fused, 5 m cable supply Z2K07015

4-plug, spiral cable Z2K07024

4-plug, dual fused, spiral cable Z2K07034

6-plug, 3 m cable supply Z2K06394

6-plug, dual fused, 5 m cable supply Z2K07114

6-plug, dual fused, 3 m cable supply Z2K07124



For vertical & horizontal mounting

variable
& robust



Create freedom of movement with infusion solutions from above.
You can find further information in our „Ceiling systems“ catalogue.

Instructions for Statics & Installation

Planning and building code requirements, as well as static tests, remain the responsibility of the buyer and must be verified before installation begins. Individual national and regional building codes must be considered. All products must be installed in accordance with commonly established technical rules.

Delivery does not include mounting parts for product installation as these depend on various static requirements. The operating instructions and safety instructions must be observed and complied with instructions for use must be kept in accordance with the legal regulations. Should the instructions for use not be enclosed by mistake, please contact us in any case.

Application of accessories

Always follow the instructions in the operating manuals of the product, when using accessories. If necessary, the maximum load of the accessories and the basic product must be reduced due to local conditions or the special configuration. In these cases there is no warranty granted by provita medical gmbh & co. kg. The compliance to the standards and regulations, especially the MPBetreibV (operator regulation) is the responsibility of the customer/user.

If you attach provita accessories to third party products or mount third party products to provita products, a new complete system may be created. The operator shall be then responsible for the evaluation and liability is then incumbent on the operator.

Installation of accessories

Generally when installing accessories and other parts, it is important to consider that:

- the mounting options are adapted to the product
- add-on components are firmly and securely attached
- the assembly of attachments does not create danger and potentially risks
- the balance point of the systems does not shift unfavourable (by offload parts)
- valid standards and guidelines are met (DIN ISO 60601, 3rd Edition, MPG, MPBetreibV)

Accessories for IV-Poles

We would like to emphasize that **not** all bottle holder/ - bar - models/ accessories are suitable for products with none weighted base constructions. For safety reasons, we would like to suggest to take advantage of the opportunity to get professional guidance by our competent sales team experts in regards to "tilting safety" and the standard requirements of DIN EN 60601. Also changes done to the products jeopardise the approval in accordance with DIN EN 60601. Gladly we will provide consulting also in this matter.

Accessories for Wall and Ceiling Rails

When using accessories for Wall- and Ceiling Rail Systems, the specified maximum load capacity in the assembly instructions must be observed. The load capacity of the wall / ceiling must be calculated so that the input forces exerted by the rails can be absorbed. Relevant safety factors have to be considered. If applicable, static examinations are necessary.

General Product Information

provita products must only be used in accordance with their intended purpose, and in compliance with applicable statutory provisions, according to commonly accepted technical rules. They must be installed, operated and maintained in accordance with applicable work safety and accident prevention regulations.

They must be installed, operated, and maintained solely by persons with the **appropriate training, and adequate knowledge and experience.**

Before using any provita product, the user must ascertain its proper functionality and the conditions for effective application of the medical product. The user must also pay attention to the operating manual and other miscellaneous safety-related information and maintenance notes delivered with the product. A provita product operator must only charge persons, companies or institutions with the maintenance (maintenance, inspection, repair and reconditioning) of medical products, where the individuals concerned have the required technical knowledge, fulfill the necessary conditions, and have the necessary means to properly discharge such duties.

Upon maintenance or repair of medical products, the primary constructional and functional product features relevant to safety and operability must be inspected, in as far as they may have been affected by the maintenance activities performed.

Where safety-related inspections are not mandated, but at the same time are not expressly excluded, the operator shall, in accordance with generally accepted rules of the trade, perform or have such safety-related inspections performed at timely intervals, to enable the detection of any defects that may be expected in the light of past experience. The interval for such inspections shall, however, not exceed a period of two years.

An inspection log is to be created for these safety inspections, detailing the date of inspection and any evaluations made. The operator shall retain such logs at least until the

subsequent safety inspection. If a product is damaged or if there is any doubt as to its complete functionality, the product must not be used under any circumstances. In such specific cases, please feel free to contact us.

Disclaimer

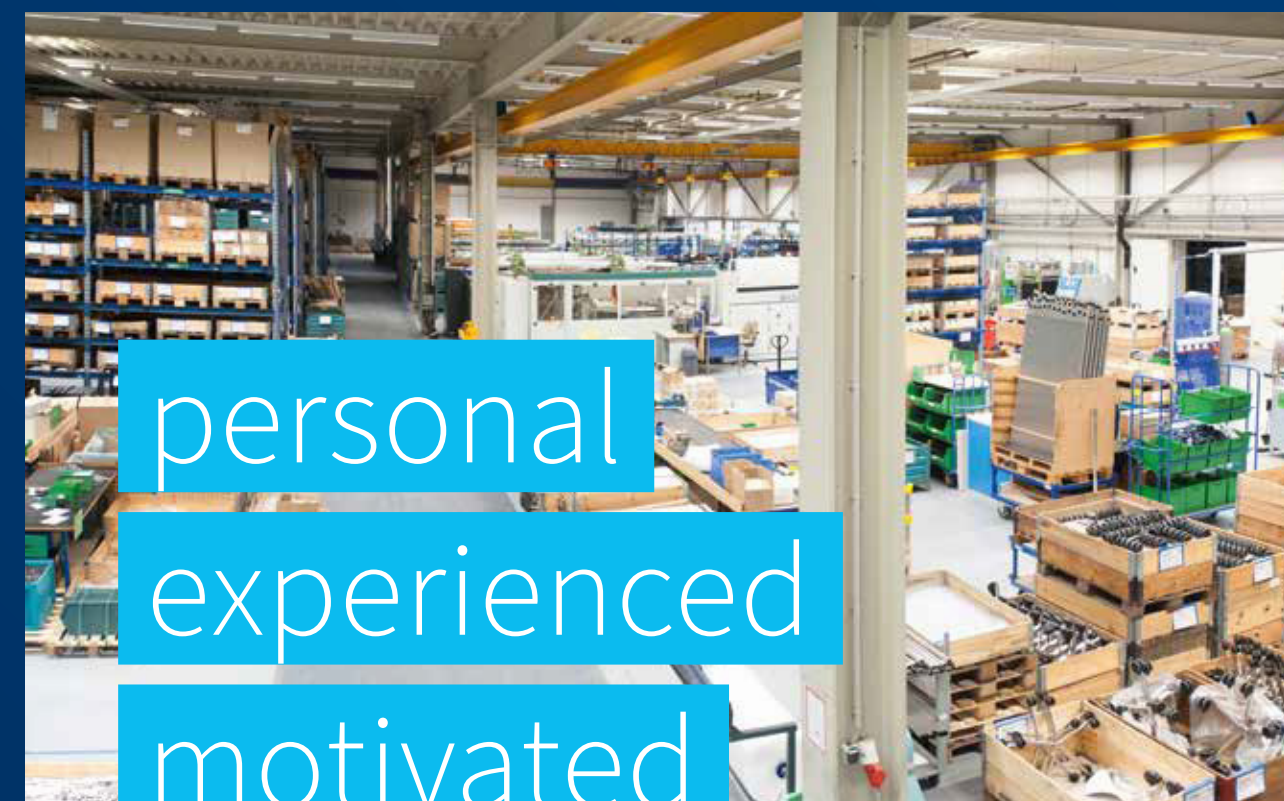
provita medical's product liability shall be limited to the statutory liability requirements for the advertised characteristics of products contained in this catalogue. Any further liabilities – particularly for products from third parties listed in this catalogue - are excluded.

Trademarks

The products depicted in this catalogue may be under patent or subject to intellectual property rights. The reproduction of trademarked products constitutes a breach of the law, and may result in liability for damages. The information and illustrations in this catalogue do not release the user from the obligation to independently establish whether claims could arise from third party intellectual property rights.

Copyright provita medical gmbh & co. kg, 2020
Reproduction as well as duplication, also in extracts, are not permitted without permission of provita medical.

For more than 50 years, our family business has been one of the leading manufacturers in medical technology.

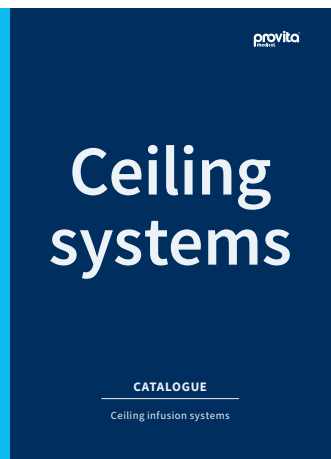
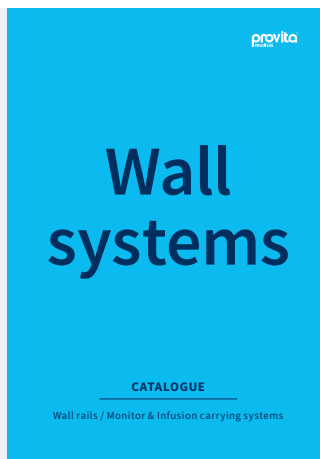


Our general terms and conditions apply. Errors, misprints and changes reserved.

© Copyright: provita medical gmbh & co. kg, november 2021

Reproduction as well as duplication, also in extracts, are not permitted without permission of provita medical.

**Browse also
in our other
product catalogues**



**Auf der Huhfuhr 8
42929 Wermelskirchen
Germany**

**Phone +49 (0) 21 93 / 51 05 - 0
Fax +49 (0) 21 93 / 51 05 - 269**

**info@provita.de
www.provita.de**

