



# Patient transfer

## SAM TRANSFER CHAIR

---

Your  in service and hygiene

# SAM



# Mobility in health and care

The modern transfer chair for many applications – for indoor and outdoor use



## S-SAM100 **Indoor use**

Central lockable foot brake, steel and powder coated ..... p. 4



## S-SAM001 **Indoor and outdoor use**

Dead man brake, washable, maintenance-free PU tyres ..... p. 6



## S-SAM004 **Indoor and outdoor use**

Similar to 001, but with an advertising set ..... p. 7



## S-SAM003 **Indoor use**

Outpatient version with leg support ..... p. 8



Go to video  
SAM transfer chair

## This applies to all models



We know that the transfer chair is valuable.  
Therefore, make use of our

various lock  
and deposit  
systems



convenient  
side exit

is possible thanks to  
folding armrests

can be loaded up to 150 kg

due to sturdy welded  
tubular frame



The safe automatic footrest  
(glass fibre reinforced) enables

standing up with  
no stumbling



Make it your own  
chair with

customisable  
advertising areas



seat and back parts made  
of polyurethane are

extremely  
hardwearing and  
comfortable



S-SAM100

# The convenient indoor aid

with central lockable foot brake  
made of powder coated steel

sturdy welded  
frame design



central  
lockable foot  
brake



convenient  
pneumatic  
tyres

We would be happy to  
manufacture SAM in your  
choice of colour.  
Please get in touch.



 Made in  
Germany



## SAM Indoor

**Frame material** steel tubing Ø 32 × 2 mm powder coated

**Material for armrests, backrests and seats** PU foam

**Dimensions** approx. 960 × 710 × 990 mm (L × W × H)

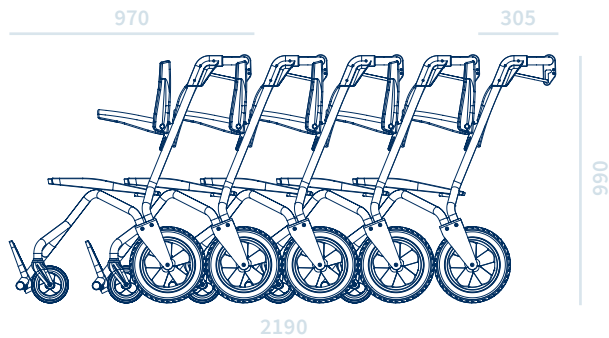
**Weight** 21.0 kg

S-SAM100

The footrest is easy to use as needed and automatically rises when not in use.



The transfer chair is easy to lock centrally with the foot at any time.



Stacking dimension =  $[(n-1) \times 305 \text{ mm}] + 970 \text{ mm}$   
 n = number of chairs



Space saving and stackable



S-SAM001 / S-SAM004

# The washable, low maintenance chair

Dead man brake, washable,  
maintenance-free PU tyres

completely  
stainless steel,  
electro-  
polished

+ various lock  
and deposit  
systems

customisable  
advertising area

+ maintenance-  
free rubber tyres





**SAM**  
with dead man brake

**Frame material** Stainless steel tubing 18 – 10, Ø 32 × 2 mm electropolished

**Material for armrests, backrests and seats** PU foam

**Dimensions** approx. 960 × 710 × 990 mm (L × W × H)

**Weight** 21.0 kg

S-SAM001



**SAM**  
with advertising set

**Frame material** Stainless steel tubing 18 – 10, Ø 32 × 2 mm electropolished

**Material for armrests, backrests and seats** PU foam

**Dimensions** approx. 960 × 710 × 990 mm (L × W × H)

**Weight** 21.0 kg

**Advertising set comprising** 2 stickers on the rear wheel fork and 2 stickers on the side advertising plate

S-SAM004



Washable



Safe and comfortable

S-SAM003


# Support in an emergency

Transport chair for outpatient use  
with variable leg support



Made in  
Germany





The legrest is easy to reach and can be inserted on the right or left. It is secured with a locking pin.

## SAM Outpatient version

**Frame material** Stainless steel tubing 18 – 10, Ø 32 × 2 mm electropolished, coated in RAL 3020 - traffic red

**Material for armrests, backrests and seats** PU foam

**Dimensions** approx. 960 × 710 × 990 mm (L × W × H)

**Weight** 23.0 kg

S-SAM003



**Accessories**  
Safety and storage



**LOCK\***  
For anti-theft protection

Z-SAM019



**SAFETY BELT**  
Fast and safe

Z-SAM002



**DEPOSIT SYSTEM\***  
Coin

Z-SAM003



**DEPOSIT SYSTEM\***  
Card

Z-SAM007

\*not retrofittable



### TILT SUPPORT

Strongly recommended when using the oxygen holder or equipment rail

Z-SAM014



### REPLACEMENT KEYCARD

Stainless steel

Z-SAM010



### PARKING STATION

Free standing

Z-SAM004



### PARKING STATION

For wall mounting

Z-SAM005



Technical specifications  
at [provita.de](http://provita.de)

**Accessories**  
Convenience and storage



**LUGGAGE HOLDER**

Practical and sturdy

Z-SAM011



**DOCUMENT HOLDER**

Easy to mount

**Material** aluminium

**Inner dimensions** 330 × 85 mm

Z-SAM006



**MULTI-PURPOSE BAG**

Especially for the transfer chair

Z-SAM008



**STANDARD RAIL\***

Only in conjunction with the tilt support

Z-SAM015



### HOLDER\*

For an oxygen bottle with 10 cm diameter

Z-SAM012



### WALKING STICK HOLDER

Suitable for various walking aids

Z-SAM013



### INFUSION STAND

Especially for the transfer chair

Z-SAM001



### STAINLESS STEEL PUSH HANDLE

For S-SAM100

Z-SAM020

\* We strongly recommend using the tilt supports (Z-SAM014) when using the oxygen holder and standard rail.





**ADVERTISING STICKER SET**  
"Light"

Z-SAM016



**ADVERTISING SET**  
Signs

Z-SAM017



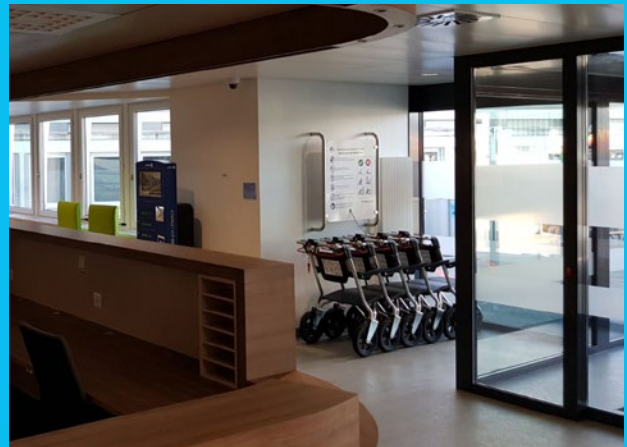
**ADVERTISING SET**  
Comprising "Z-SAM017" and "Z-SAM016"

Z-SAM018



Technical specifications  
at [provita.de](http://provita.de)

# Application examples



Our general terms and conditions apply. Errors, misprints and changes reserved. © Copyright: provita medical gmbh & co. kg, 2023. No part of this publication may be reprinted or reproduced in any form or by any means without the permission of provita medical.

**Any further questions?  
Please contact us for personal advice.**

**Just call us on: +49 21 93 / 51 05 - 0  
Or write to us at: [info@provita.de](mailto:info@provita.de)**

**provita medical gmbh & co. kg**  
Auf der Huhfuhr 8  
42929 Wermelskirchen  
Germany

Phone +49 (0) 21 93 / 51 05 - 0  
Fax +49 (0) 21 93 / 51 05 - 269

[info@provita.de](mailto:info@provita.de)  
[www.provita.de](http://www.provita.de)

