

Equipment carrier support for protectors for the thermodisinfection system

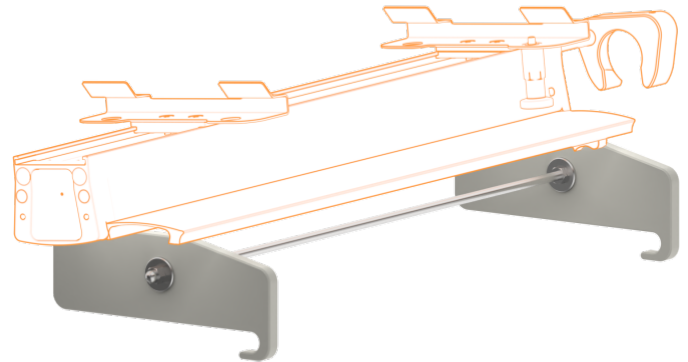
Z-EC0002

PRODUCT DESCRIPTION

Material	Stainless steel/ Plastic
Material of housing	Aluminum with special coating for thermodisinfection up to 95°C
Size	450 mm x 167 mm

PACKAGING UNIT: UNIT

Width Box1	0,5 m
Height Box1	0,25 m
Length Box1	0,2 m



Z-EC0002

Equipment carrier support for protectors

