

Immersion disinfection tube for vaginal probe **provita**[®] medical

Alpinion, GE, floor model and table model

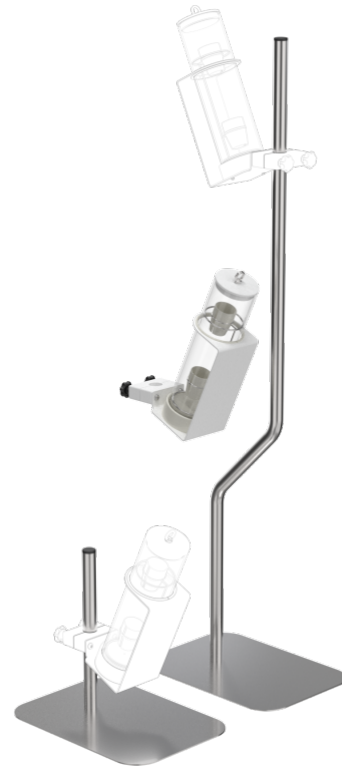
TD-KO104

PRODUCT DESCRIPTION

Field of application	Ultrasound probes
Probe mount	premounted
Tube	? 80 x 280, including base and lid
Material	Stainless steel/ Aluminium/ PMMA/ Plastic
Colour of clamp	White
Shelf dimensions	350x250, stainless steel
Dimensions of supporting tube	Ø 25 mm x 300 mm, Ø 25 x 1205 mm, stainless steel
Total load capacity (kg)	4

PACKAGING UNIT: UNIT

Width Box1	0,4 m
Height Box1	0,4 m
Length Box1	1,3 m



TD-KO104

Immersion disinfection tube for vaginal probe

