

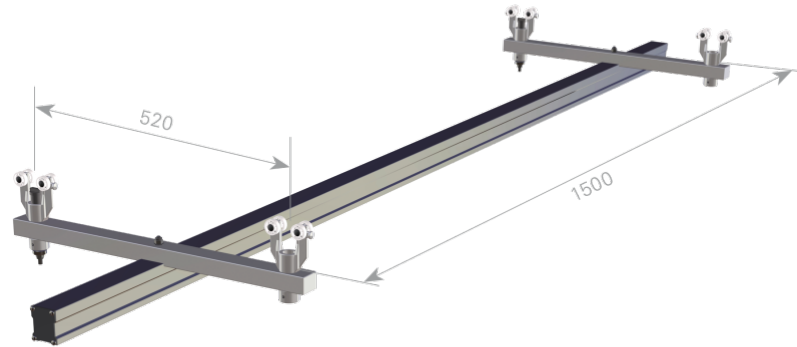
Support Rail "Mono"

Colour: white

D400002A

PRODUCT DESCRIPTION

Material	Aluminium, white coated
Distance between the 2 parallel rails	1,500
Suitable	for parallel ceiling rail systems
Length of Support Rail	2,500
Storage	16 nylon-ball-bearing (4 pieces in each carrier unit)
Total load capacity (kg)	80



PACKAGING UNIT: UNIT



D400002A

Support Rail "Mono"

